

3.5 Technical features

Please refer to the following table.

TECHNICAL FEATURES		
PERFORMANCES		SF/24
	U.M.	
Maximum speed output	bpm	90
Maximum height of the bottle to be conveyed	mm	150
Maximum height of the bottle to be conveyed	mm	350
Main motor power	kW	1,5
Height regulation motor power	kW	0,37
Outlet capacity from a rinsing nozzle	cm ³ /s	33
Rinsing time for the bottle	s	1
Grippers quantity	-	24
Circumference pitch	mm	125
POWER NEEDS		SF/24
	U.M.	
Water feed pressure	bar	2,5
Air feed pressure	MPa	0,25
Rinsing water filtering degree	micron	0,2
Absorbed electrical power	kVA	1,5
Feed tension	V	380
Frequency	Hz	50
Number of phases	-	3
Neutral wire	-	
" Full charge " current	A	2,3
Supply cables section	mm ²	2,5
NOISE		SF/24
	U.M.	
Surveyed according ISO 3746		
Lp, acoustical level middle value	dB(A)	78
Lp, acoustical level maximum value	dB(A)	80
LWA, acoustic power level	dB(A)	-
MASS AND OVERALL DIMENSIONS		SF/24
	U.M.	
Weight of the machine	Kg.	2000
Length	mm	1780
Operator' s side wigth	mm	1760
Height	mm	1900
Other dimensions		see lay-out chap. 12

3.6 Machine dimensions

See Fig. 3.2

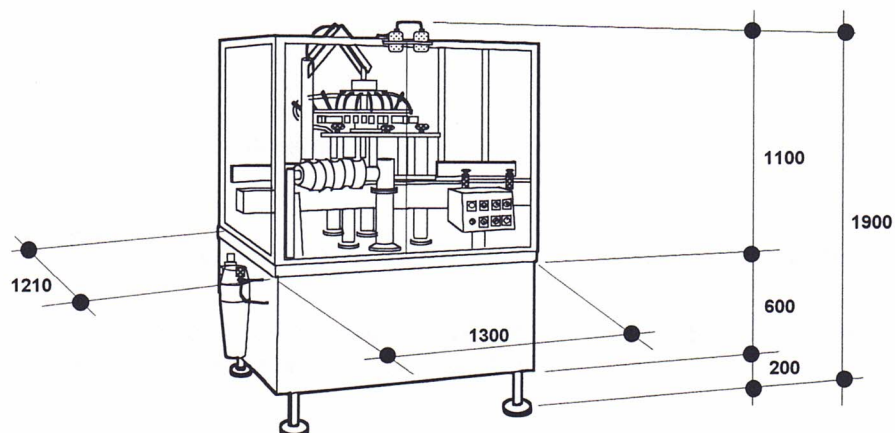


Fig. 3.2 : plant lay-out - overall dimensions

3.7 Machine life

Evaluated machine for a machine having a normal maintenance is approximately 10 years.

i

For hygienical reasons it is necessary to install the machine inside a covered building.