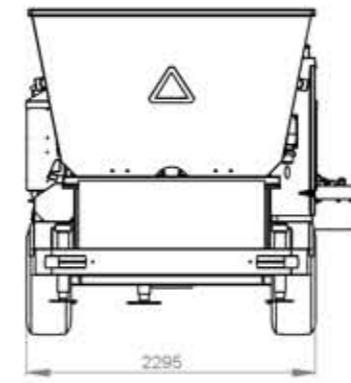
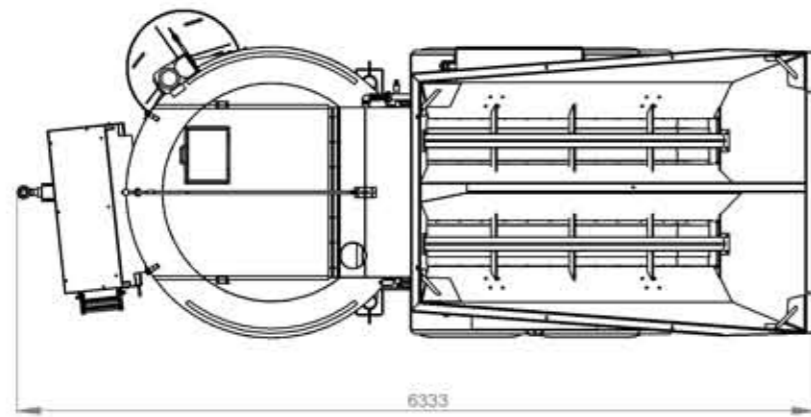


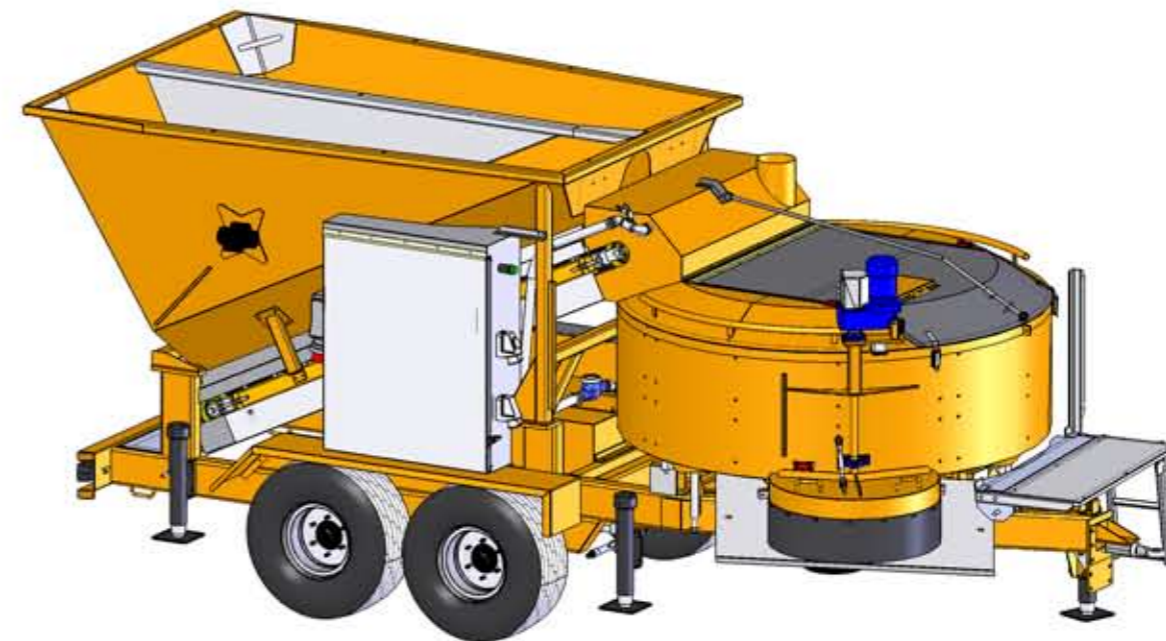
Scale 1:30



Scale 1:30



Scale 1:30



BARCODE STREGKODE DEBUR AND BREAK SHARP EDGES DIMENSIONS IN MILLIMETER <small>REPLACES: 7 mm SCALE 1:10</small>	DELIVERY DATE	PO. NO.
	ITEMS AS SHOWN	CASE NO.
<small>REPLACES BY</small> <small>REPLACES WITHOUT SPECIFIED TOLERANCES ACCORDING TO ISO 2768-M & ACCORDING TO BUT AND PREPARATION GRABES FOR UNCOATED STEEL, SEEN 020810</small>	ITEMS MIRRORED RAL	 fibro intercon a/s <small>Henningsdal 4, DK-4700 Valsbøl www.fibrointercon.com</small>
<small>REPLACES BY</small> <small>REPLACES WITHOUT SPECIFIED TOLERANCES ACCORDING TO ISO 2768-M & ACCORDING TO BUT AND PREPARATION GRABES FOR UNCOATED STEEL, SEEN 020810</small>	B1800 Mobil Blander B 1800 Mixer Mobile Batching Plant	48054005
DATE: 25-12-2010 SCALE: 1:20 WEIGHT: 2041 2010 kg	A1	